



EDGE[®]
AUTOMATION PVT. LTD.
— Committed to Excellence —

www.edgeautomation.co.in



About Us

EDGE Automation Pvt. Ltd. started the business with manufacturing of in the field of Gantry , Part Stocker, Assembly lines, Conveyors, HMI Cabinet, SPM (Special Purpose Machines) & trading of Pneumatics & Automatic Lubrication System. The company earned good reputation in the business with its high quality products and efficient service to its OEM & END user customer.

The company over the year witnessed the increasing demand for Automation and the highlights high percentage of repeat orders from existing clients, which signifies high quality standards of the company and cordial customer relations as well. To facilitate quality at all stages, the Management has established a Quality Management System in accordance with International Standard ISO:9001:2015

EDGE is your complete source with a unique combination of in house machining facilities, smart and intelligent manpower and capabilities of thinking beyond limits in machine tools, process industries, power plant, plastic & automobiles application.

In recent past we have got good orders and faith in the Machine tools industries through our state of the art in-housed developed Gantry systems, Part stockers, conveyors and more products.

Company being committed to continues innovative change and rapid transformation and Promoted by Young entrepreneurs. We have good technical background team to give you all your systems solutions.

EDGE has been also delivering ENGINEERING VALUE to top national and international Customers with their Engineering Solutions.



EDGE[®]
AUTOMATION PVT. LTD.
— Committed to Excellence —



Our Vision



*EDGE has grown by Customer Referrals and not by forceful Sales/Marketing.
Based on our superior designs and quality build of machines our Customers speak for us!
EDGE believes in QUALITY (Engineering Excellence!) Vs Quantity (Topline growth at any cost)*

ENGINEERING SOLUTIONS WE OFFER

Manufactures of:

- Gantry Solution For CNC Loading Unloading
- HMI Cabinet & Console Accessories
- Special Purpose Machine
- Aluminium Profile Structures
- All Types Of Conveyor
- Sheet Metal & Fabricated Components
- Robotic CNC Machine Tending

Range of Products :

- Pneumatic Spares & Service
- Pneumatic Panel, Fittings & Tubing
- Ele. & Mech. Maintenance Products
- Maintenance Welding Alloys

Company Facility



Factory Building



Corporate Office

We have our corporate office situated in Rajkot City

We are a team of more than 36 people who are highly educated and industry experts, we can be the best partner in the engineering solution provider.



Machine Assembly Shop



Tool Room

We have land of over 21500 Sq. Ft. in a well developed and highly engineering GIDC- Shapar



Aluminium Structure Assembly Shop



Store Room



We have various type in house machining facilities like Power press 10T - 100 T, Wire Bending Machine, MIG & ARC welding Machine, Spot welding, Lathe Machine, Drill Machines, Cutting & Shearing Machine, SPM Wire Forming Machine.



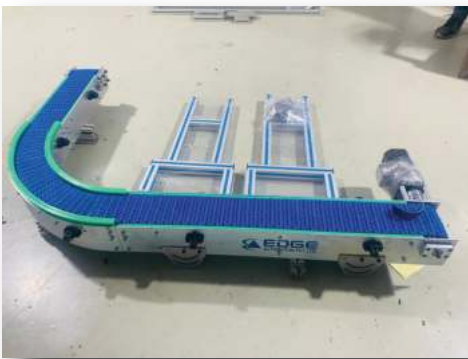
Training Center



We have below list of Advanced machines to manufacture world class engineering product. Make of Machines like VMC, HMC, CNC of BFW, Ace Micromatics, Jyoti etc.

Cultural Activities





Conveyor



- Roller
- Belt
- Chain
- Pallet
- Flexible Module
- Power Roller
- Slat
- Gravity





Working Table

Customized size and design as Customer's requirements



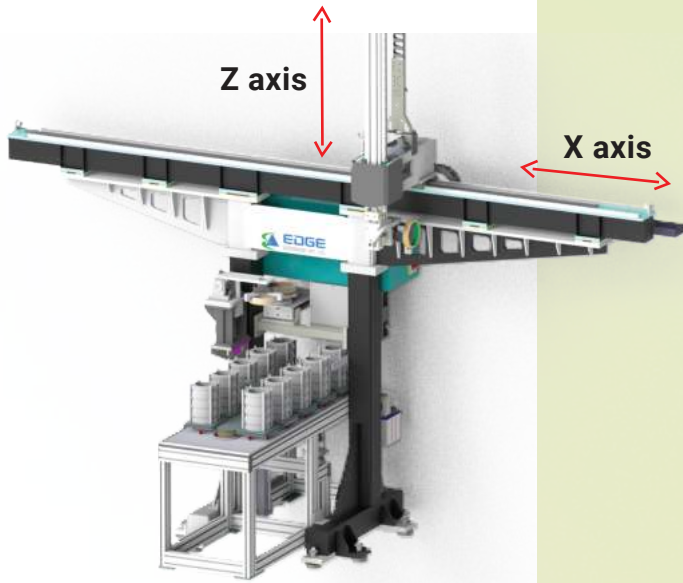


EDGE[®]
AUTOMATION PVT. LTD.
— Committed to Excellence —

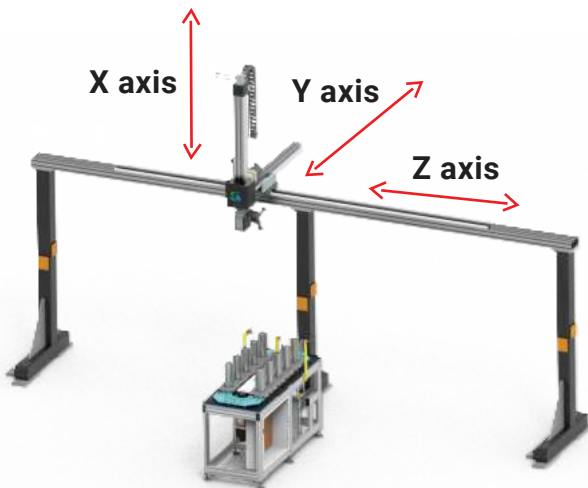
SPM



we are expert in developing **3-4 axis Gantry** system for **CNC** machine automation including wear offest with **higher payload capacity** and **high speed**, our Gantry system compliance rigid structure with easy and user **friendly operation** and almost negligible maintenance.



Gantry for CNC





PART STACKER FEATURES :-

- > 8 - 16 Station part stcker with provide 2 vertical linear axis
- > Aluminium Profile Structure
- > Compact Design rotary pallet part stocking mechanism
- > To provide Gantry interface i/o.
- > Easy operation of up-down mechanism.



Part Stacker

HMI Cabinet





Console

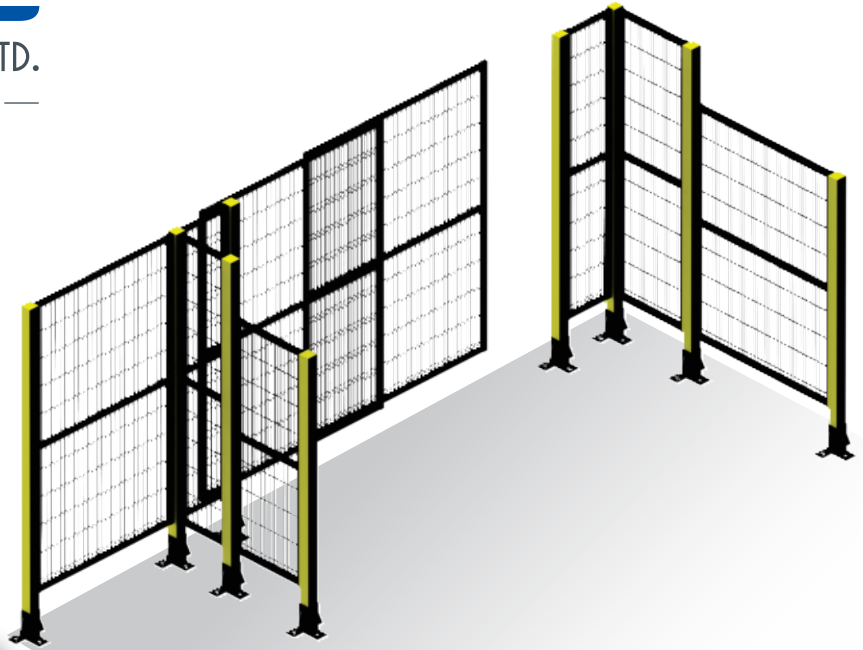


Aluminium Profile

Swiftin

**& Accessories,
Customized Structure & Safety Fencing**





Conveyor System

Stair & Platform System

Tubular Framing System

Safety Fencing System

A wide Range of product variations to accommodate diverse applications



Directional Control Valves



Temperature Control Equipment



**Flow Control Equipment
(Speed Controllers)**



Vacuum Equipment



Pneumatic Instrumentation Equipment



Process Valves



Fittings & Tubing



Air Cylinders



Process Gas Equipment



Static Neutralization Equipment



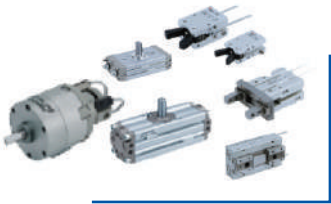
Air Preparation Equipment



Hydraulic Equipment



Leading pneumatic solution provider



Rotary Actuators/Air Grippers



High Vacuum Equipment



Switches/Sensors/Controllers



Modular F.R.L./Pressure Control Equipment



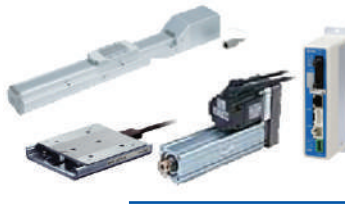
Other Derived Series



Process Pumps (Diaphragm Pumps)



Silencers/Exhaust Cleaners/ Blow Guns /Pressure Gauges



Electric Actuators/Electric Cylinders



Industrial Filters/Sintered Metal Elements



Chemical Liquid Valves/Fittings /Needle Valves/Tubing



Lubrication Equipment



Coolant Gun & Pneumatics Grade Oil

Industrial Robot

Armed for Productivity

Easy | Programming
Control
Connecting





Contact

+91 94260 75914
+91 94261 75914
sales@edgeautomation.co.in

Office

Opp. Tatkalik Hanuman,
Mahadev Wadi Main Road,
Laxminagar, Rajkot-360004

Factory

B/H Ganga Forging,
Plot No. 2& 3, Survey No. 30/1,
Shapar:-360002(Rajkot)